

# The New Lowel TRIO™

## Bring Studio Quality to Your Next Location

- As comfortable in the studio as it is on location, TRIO™ delivers a beautiful soft source of high CRI daylight or tungsten color. Its 3 lamps are individually switched, to control light output.

- Got a small studio that you need to occasionally pack up & take on the road? Lowel's new TRIO™ 3 lamp fluorescent fixture folds down slim, & carries easily.

- Designed with Lowel's legendary attention to detail, TRIO's mounting system keeps the light balanced over the stand while allowing a full range of tilting positions.

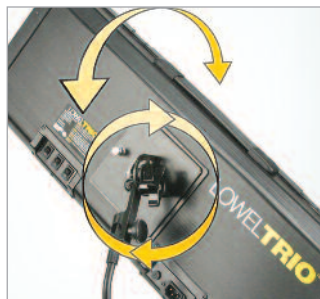


TRIO's 3 Light Kit is available with daylight or tungsten color lamps, offers about 500 Watts of fluorescent power, equivalent to 2000 Watts of conventional tungsten output.



### Features:

- Auto voltage setting ballast from 120 - 240v.
- Use high CRI daylight or tungsten compact 55w lamps for accurate colormatching with other other light sources.
- Individual lamp switching for variable output control.
- Quick release dual purpose barndoor / intensifiers.
- Quick release locking plate & tilt-bracket that mounts the fixture to stand or boom and provides a generous tilting & rotating range.
- Easy to install egg crate for trimming spill.



Swivel & tilt for the best lighting placement. Lowel's innovative Mounting Plate & accessory Tilt-bracket keeps TRIO centered on the stand, and easily positioned.

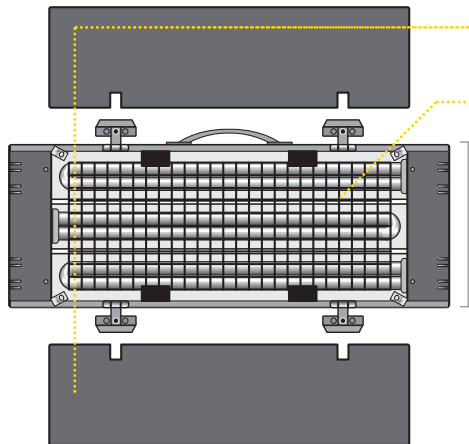
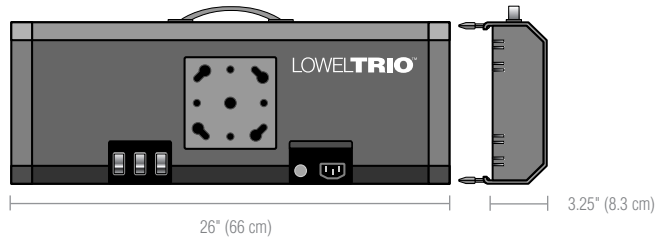


For hanging from studio rail or overhead pipe, the accessory Overhead Mount clamp allows the same generous tilting & rotation ability.

# LOWELTRIO™ System



TRIO's innovative mounting plate attaches quickly and allows generous rotation & tilting range, especially when used with the accessory Tilt-bracket (CF-36).



Dual purpose Barndoor/Intensifiers swap quickly to either trim spill or intensify output (aprox 2X).

Supplied Egg Crate attaches easily to trim TRIO's beam angle.

9.5" (24 cm)



Accessory Side barndoors (FLT-310) attach easily and can prevent sideways light spill.

## Lights &

### Lowel TRIO™

**Code: FLT-300**

Lowel TRIO with Mounting Plate, Reversible Barndoor/Intensifiers, Accessory Egg Crate, and 16' T1-80 AC Cable (less lamps).

### TRIO Side Barndoors

**Code: FLT-310**

Accessory side barndoors attach to trim sideways spill from TRIO. Non-reversible. Minor assembly required.

### Tilt-bracket

**Code: CF-36**

Attaches between TRIO Mounting Plate and stand/boom. Allows more full range tilting, while keeping weight of fixture centered over stand for best balance.

### Hanging Clamp

**Code: FLE-CM**

Attaches between TRIO Mounting Plate and overhead light rail / pipe. Allows more full range tilting, while keeping weight of fixture centered directly under clamp for best balance. Always use with safety cable, secured to rail.

## Kits

### TRIO I Light Kit

**Tungsten Kit**

**Code: FLT-901TU**

**Daylight Kit**

**Code: FLT-901DA**

1 Lowel TRIO light (FLT-300), with 1 Tilt-bracket (CF-36), 1 Uni Sr. Stand (UN-66), either daylight or tungsten balanced GE Cinema-Plus fluorescent lamps, & TO-83X Case

### TRIO 3 Light Kit

**Tungsten Kit**

**Code: FLT-903TU**

**Daylight Kit**

**Code: FLT-903DA**

3 Lowel TRIO lights (FLT-300), with 3 Tilt-brackets (CF-36), 3 Uni Sr. Stands (UN-66), either daylight or tungsten balanced GE Cinema-Plus fluorescent lamps, & TRIO 3 Case (TRF-86).

## Mounts

### Uni Sr. Stand

**Code: UN-66**

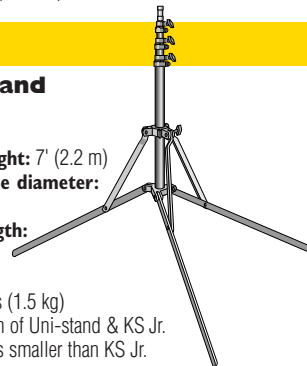
**Maximum height: 7' (2.2 m)**

**Maximum base diameter:**

46" (1.2 m)

**Collapsed length:**

2.5' (57.2 cm)



**Weight: 3.3 lbs (1.5 kg)**

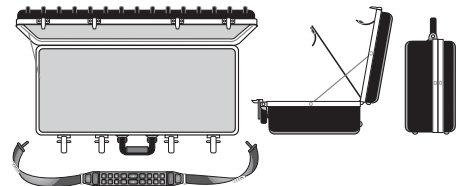
Based on design of Uni-stand & KS Jr. stand. Collapses smaller than KS Jr.

## Cases

### Tota/Omni 83X Case

**Code: TO-83X**

**Size: 29.5 x 13 x 7" (74.9 x 33 x 17.8 cm)**



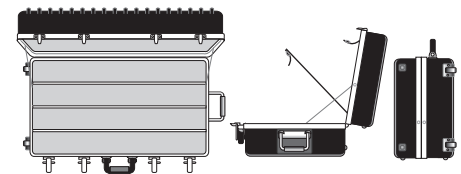
Special case for single TRIO light. High impact molded polyethylene case, hinged lid, with padded shoulder strap (SS-10).

### TRIO 3 Case

**Code: TRF-86**

**Size: 29.5 x 17 x 9.75" (74.9 x 43.4 x 24.8 cm)**

High-impact molded polyethylene case, hinged lid.



**Lowel-Light Manufacturing, Inc.**

90 Oser Avenue, Hauppauge, NY, 11788

**Call: 800 645-2522 • 631 273-2500**

**www.lowel.com**



## Recommended Lamps, Fluorescent, 120/230v, 55w

Lowel Code	Mfrs Code	Watts	°K	CRI	Mfrs Avg Life
FLS-55TU	Osram Studioline 55w/3200	55	3200 (tungsten)	85	8,000 hrs
FLS-55DA	Osram Studioline 55w/5600	55	5600 (daylight)	85	8,000 hrs
FLC-55TU*	GE F55BX/CINPLUS32	55	3200 (tungsten)	90+	8,000 hrs
FLC-55DA*	GE F55BX/CINPLUS55	55	5500 (daylight)	90+	8,000 hrs