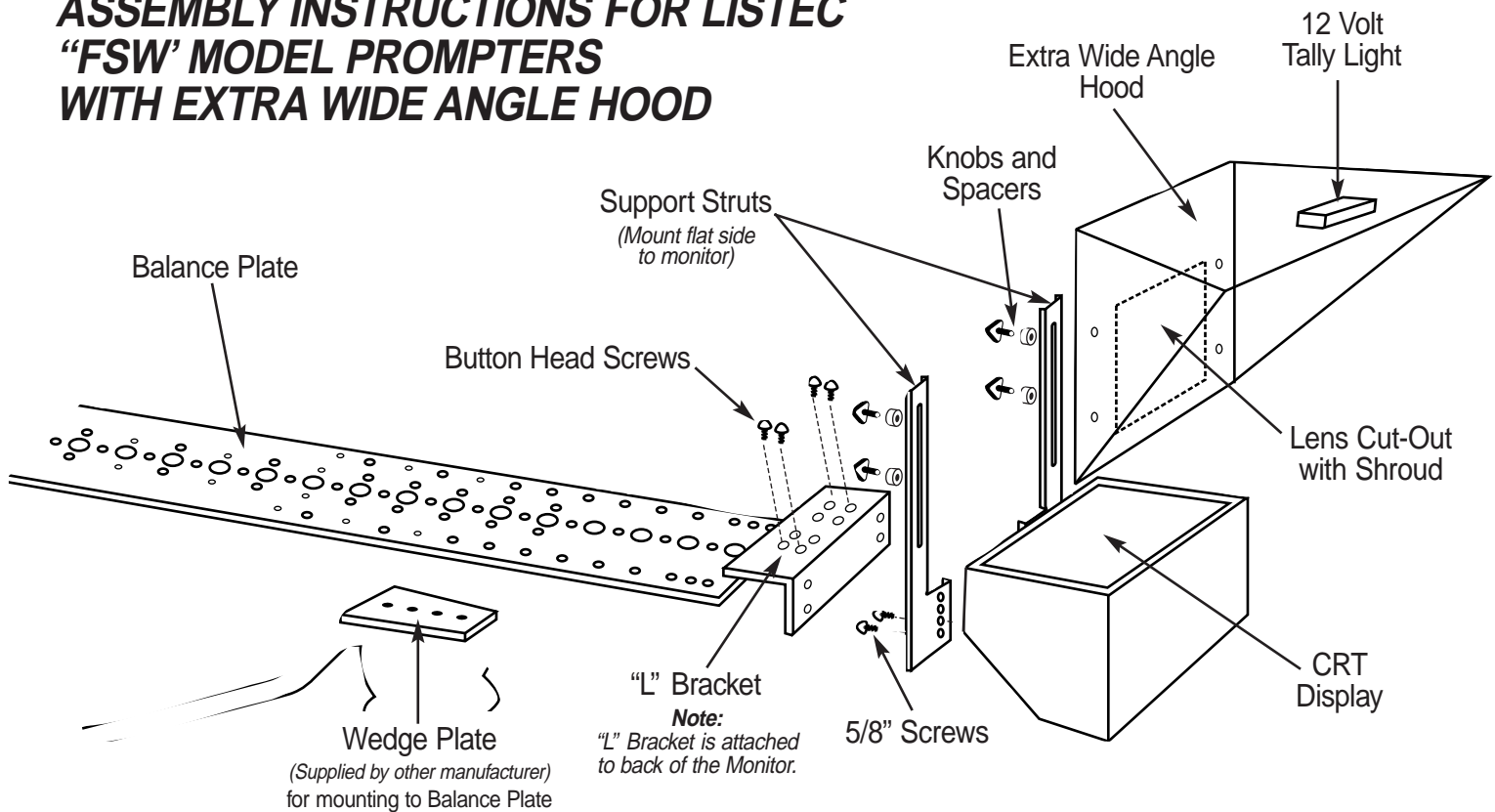


ASSEMBLY INSTRUCTIONS FOR LISTEC "FSW" MODEL PROMPTERS WITH EXTRA WIDE ANGLE HOOD



"FSW" SERIES CONFIGURATION

Your Listec CRT Prompter has been supplied with the mounting hardware specified at the time of ordering. Monitors are supplied with an "L" Bracket attached. All hardware is compatible with previous Listec prompters.

1. Attach the **Balance Plate** to the base of the camera through the clearance holes with the screws provided, or those supplied by the camera manufacturer.
2. Attach the **Wedge Plate** to the **Balance Plate**, estimating the horizontal balance point.
3. Attach the **Balance Plate** with the camera to the pan head.
4. Attach the **Monitor** with the **"L" Bracket** to the **Balance Plate** with the four 3/8-16" x 3/4" **Button Head Screws** supplied.
5. Attach the **Support Struts** to the rear of the **Monitor** using the four 1/4-20" x 5/8" **Screws** provided.
6. Using the four **Knobs** and **Spacers** provided (shipped attached to the Hood), attach the **Hood** to the front of the **Support Struts**, selecting the holes for the best vertical position.
7. Carefully insert the **Prompter Mirror** with the Colored Dot Label facing out. Secure with the clip at the top of the **Hood**. Adjust the height of the Mirror / Hood Assembly as required.
8. Affix the **Tally Light** to the **Hood** with Velcro supplied and wire in parallel to the camera cue light.
9. Plug in the power cable and connect composite video cables.

PLEASE NOTE: Listec's 15 inch prompters are AC only. 12 inch prompters can also accept 12VDC via a 4-pin male XLR connector. This configuration may be adapted to support a portable camera by specifying an optional Riser and Counterbalance.

IMPORTANT: Avoid touching the mirror. Do not use strong ammoniated cleansers.

LISTEC VIDEO

TECHNICAL SUPPORT AND SALES:

Phone: (561) 683-3002 • Fax: (561) 683-7336 • www.listecprompters.com