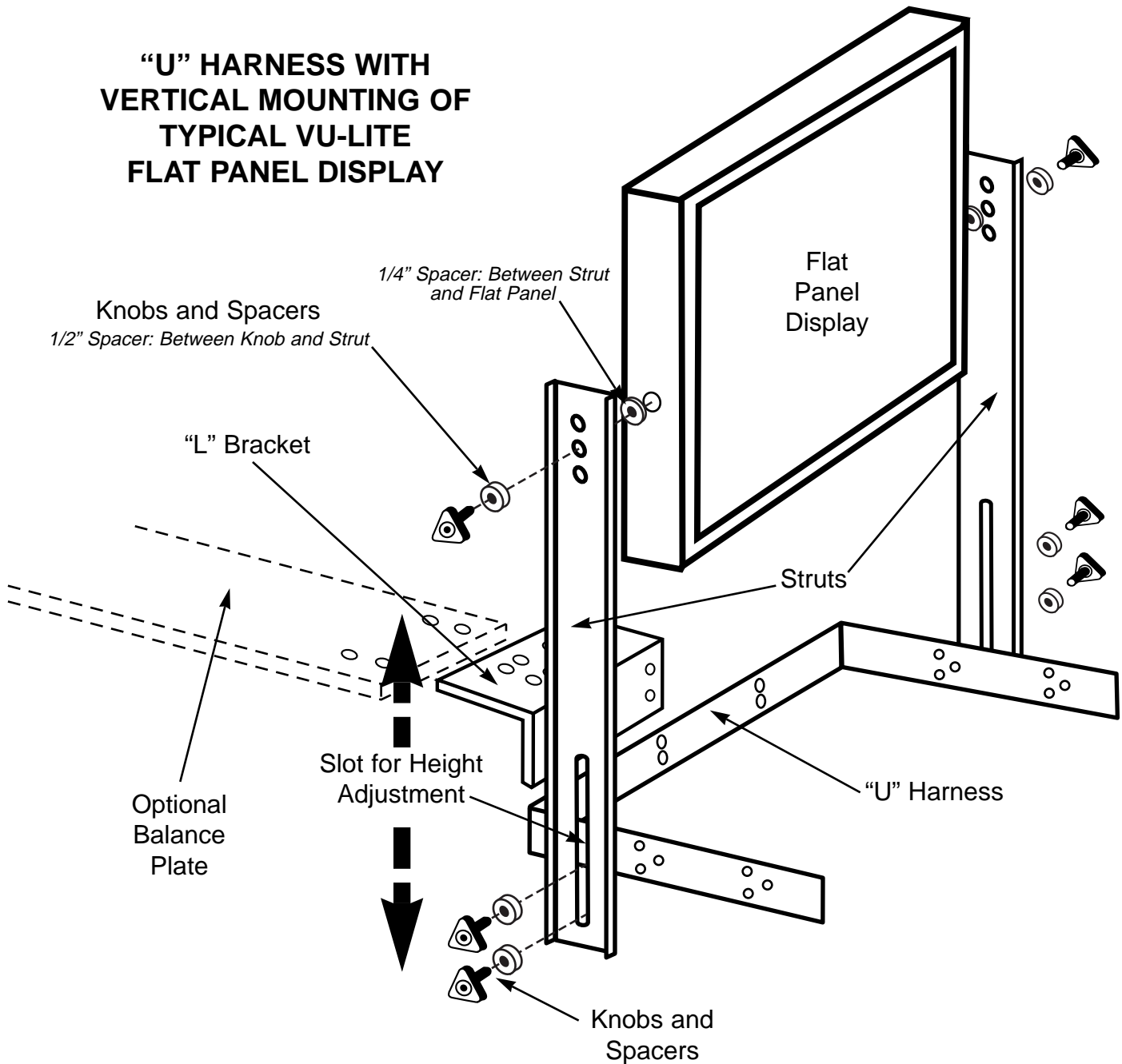


# VU-LITE DIRECT-VU MOUNT

## “U” HARNESS WITH VERTICAL MOUNTING OF TYPICAL VU-LITE FLAT PANEL DISPLAY



# LISTEC VIDEO

TECHNICAL SUPPORT AND SALES:

Phone: (561) 683-3002 • Fax: (561) 683-7336 • [www.listec.com](http://www.listec.com)