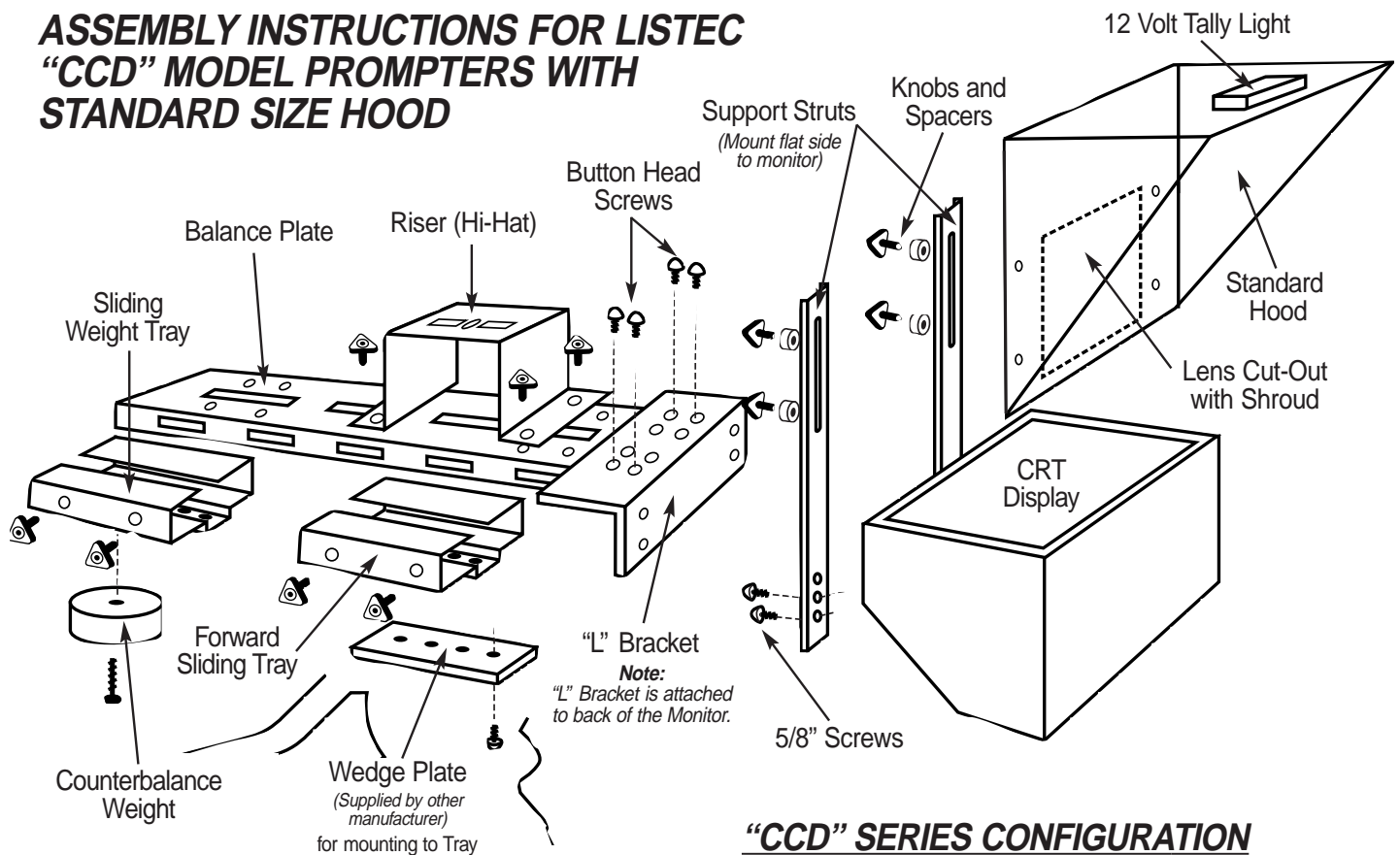


# ASSEMBLY INSTRUCTIONS FOR LISTEC "CCD" MODEL PROMPTERS WITH STANDARD SIZE HOOD



## "CCD" SERIES CONFIGURATION

**Your Listec CRT Prompter has been supplied with the mounting hardware specified at the time of ordering. Monitors are supplied with an "L" Bracket attached. All hardware is compatible with previous Listec prompters.**

1. Remove the **Sliding Tray(s)** from the **Balance Plate**.
2. Attach the **Wedge Plate** (if applicable) to the **Forward Sliding Tray** and mount into the female adapter on the pan head, or screw the **Tray** onto the **Pan Head Bolt(s)**.
3. Slide **Balance Plate** over the **Sliding Tray** and secure with **Knobs** provided. Attach **Riser** to the **Balance Plate** as far forward as possible. Mount camera onto **Riser** with camera lens positioned as far forward as possible to avoid vignetting.
4. Attach the Monitor with the **"L" Bracket** to the **Balance Plate** with the four 3/8-16" x 3/4" **Button Head Screws** supplied.
5. Attach the **Counterbalance Weight** to the **Sliding Weight Tray** and insert into the **Balance Plate**, securing with the **Knobs** provided.
6. Attach the **Support Struts** to the rear of the **Monitor** using the four 1/4-20" x 5/8" **Screws** provided.
7. Using the four **Knobs** and **Spacers** provided (shipped attached to the Hood), attach the **Hood** to the front of the **Support Struts**. Carefully insert the **Prompter Mirror** with the Colored Dot Label facing out. Secure with the clip at the top of the **Hood**. Adjust the height of the Mirror / Hood Assembly as required.
8. Affix the **Tally Light** to the **Hood** with Velcro supplied and wire in parallel to the camera cue light.
9. Plug in the power cable and connect composite video cables.

**Please Note: Listec's 15 inch prompters are AC only. 12 inch prompters can also accept 12VDC via a 4-pin male XLR connector.**

**IMPORTANT:** Avoid touching the mirror. Do not use strong ammoniated cleansers.

# LISTEC VIDEO

TECHNICAL SUPPORT AND SALES:

Phone: (561) 683-3002 • Fax: (561) 683-7336 • [www.listecprompters.com](http://www.listecprompters.com)