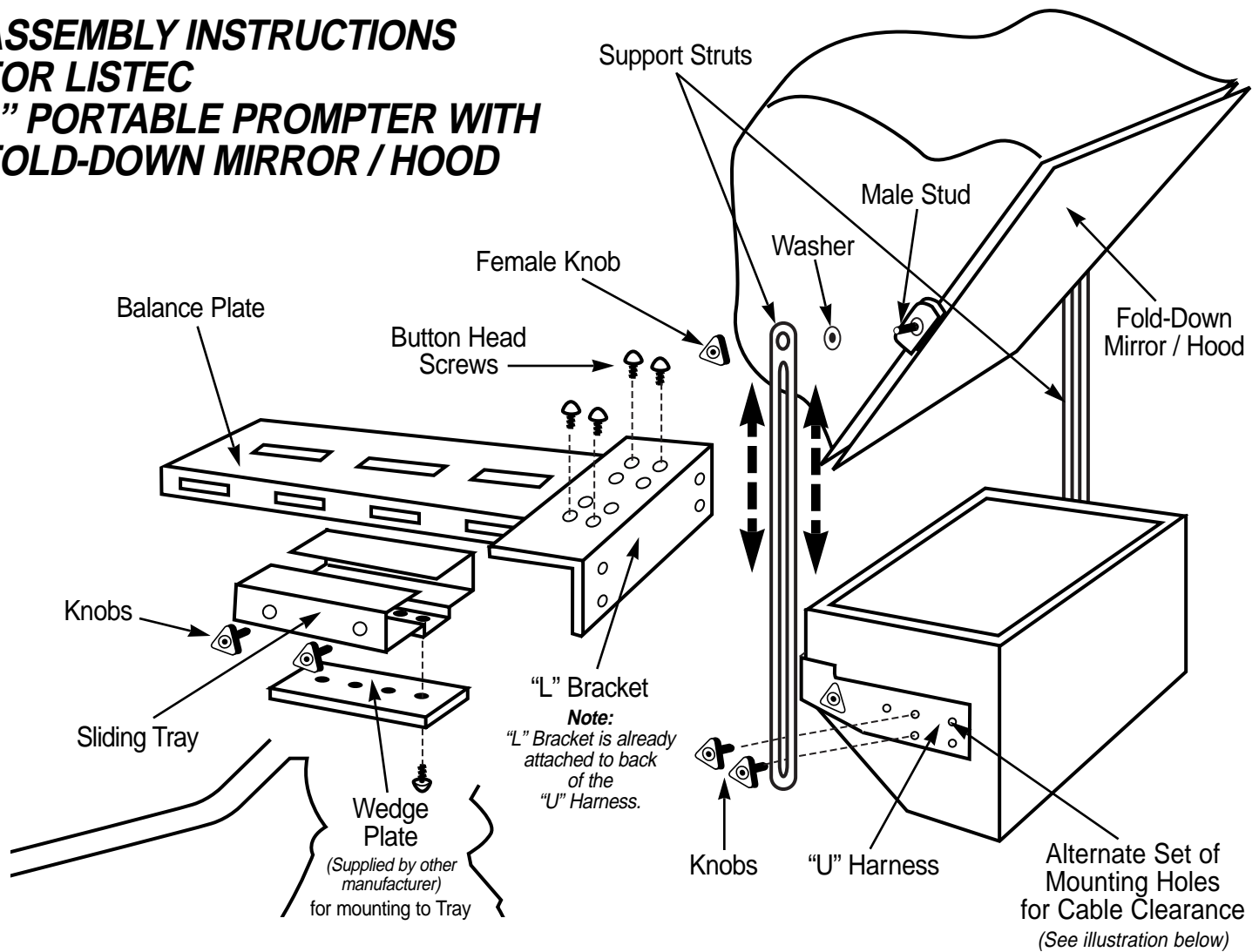


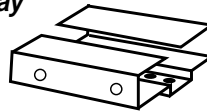
ASSEMBLY INSTRUCTIONS FOR LISTEC 9" PORTABLE PROMPTER WITH FOLD-DOWN MIRROR / HOOD



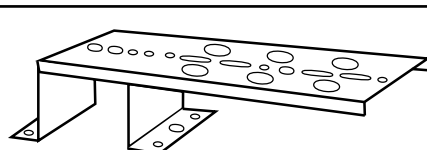
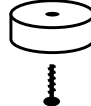
Your Listec 9" Portable Prompter has been supplied with the mounting hardware specified at the time of ordering.

1. Remove **Sliding Tray** from inside **Balance Plate**.
2. Attach the **Wedge Plate** to the **Sliding Tray** (if applicable) and mount into female adapter on pan head, or screw **Tray** onto the **Pan Head Bolt(s)**.
3. Slide the **Balance Plate** over the **Sliding Tray** and secure with **Knobs** provided (see #7, below).
4. Attach the **Monitor** with the **"L" Bracket** to the **Balance Plate** with the four 3/8-16" x 1/2" **Button Head Screws** supplied.
5. Attach **Support Struts** to side of **"U" Harness** as shown using four shortened **Knobs** provided.
6. Attach the **Fold-Down Mirror / Hood** to the top of the **Support Struts**. Secure the assembly by screwing the **Female Knobs** through the **Support Struts** and **Washers** provided to the **Male Stud** on the **Hood**.

Counterbalance Weight with additional Sliding Tray available as an Option.



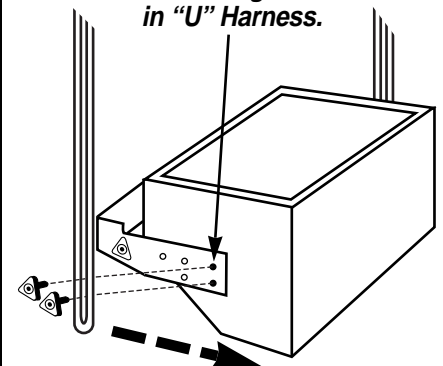
Please Specify
5 or 10 lb. Weight.



Optional 3" Offset Riser Assembly

ALTERNATE ASSEMBLY FOR CABLE CLEARANCE

Move Struts and Monitor FORWARD by screwing Knobs into Front Set of Mounting Holes in "U" Harness.



7. Mount the camera to either the **Balance Plate** or the optional **3" Offset Riser Assembly**. The mirror frame is normally positioned just above the **Monitor** at an approximate 45 degree angle. The optical axis of the lens should be at center to the glass. To avoid vignetting, the camera lens should be positioned as far inside the **Hood** as possible, close to the mirror; it is recommended that the rubber lens sunshade be removed. (Please see photo on reverse side.)

PLEASE NOTE: Avoid touching the mirror. Do not use strong ammoniated cleansers.